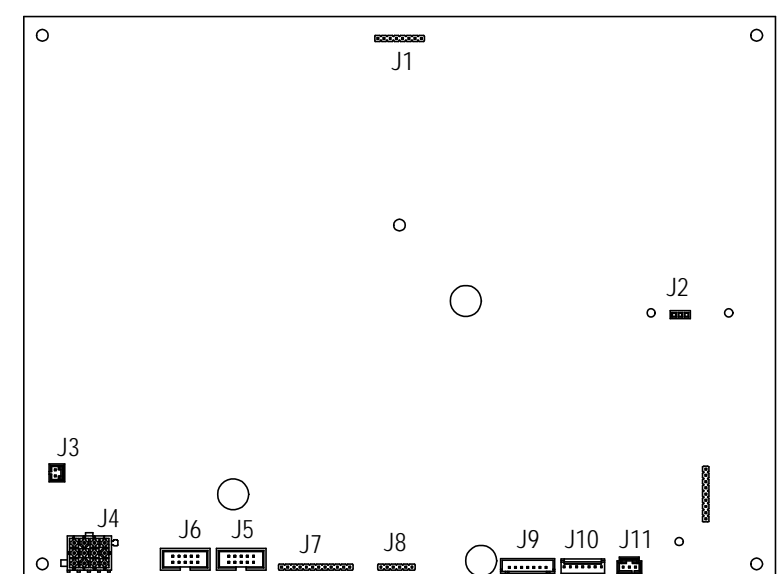
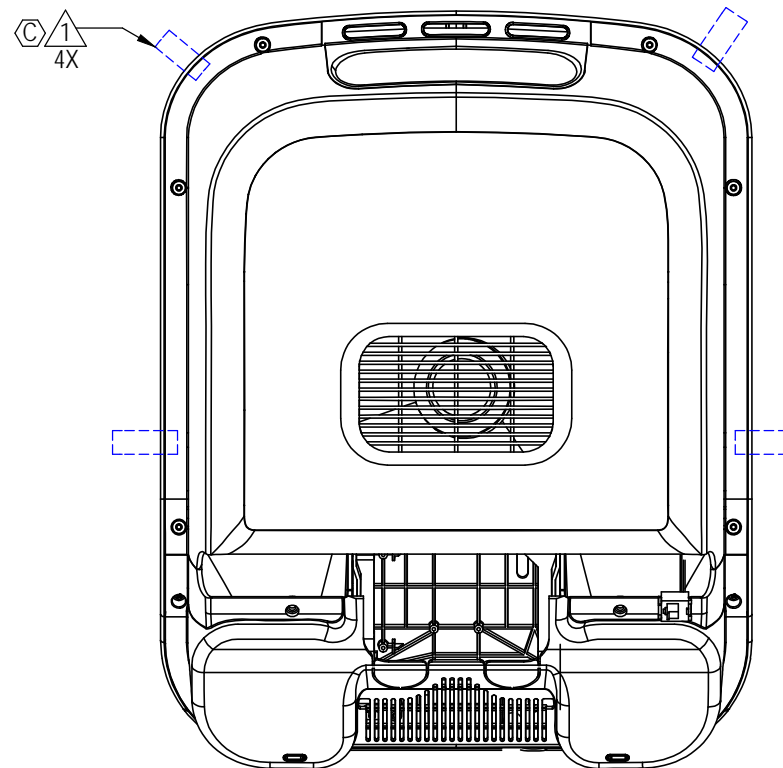


REVISIONS				
REV.	DATE	DESCRIPTION	ECO	BY
A	03/16/2007	RELEASE FOR PRODUCTION	11562	RLH
B	06-27-07	P/N 715-3407 WAS 715-3518	11656	DMM
C	11-11-09	REMOVE P/N: 715-3407 QTY:1; ADD P/N: 715-3864 QTY:1, 718-5196 QTY:1; P/N: 110-3402 QTY: IS 26 WAS 27; UPDATE ALL NOTES	12313	SJK



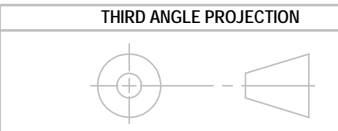
CONNECTOR DESIGNATIONS ON PCB
P/N 718-5094

ITEM NO.	PART NUMBER	DESCRIPTION	Default/QUY.
1	020-7053	HOUSING, BACK, TOP, BCS	1
2	020-7054	ASSY, COVER, BOTTOM, BCS, CUP HLDR	1
3	020-7058	HOUSING, TV CAP, BLANK, BCS	1
4	020-7094	HOUSING, HEAD PH, BLANK, BCS	1
5	050-2041	LOGO, STAR TRAC, 6.425X1.523	1
6	110-3402	SCREW, M4x0.7x19L, PHT, PH, CS, BZ	26
7	110-3404	SCREW, M4x0.7x8L, PHT, PH, CS, BO	3
8	715-3651	ASSY, AIR VENT, BCS	1
9	715-3864	ASSY, WIRELESS HR, POLAR, 92cm L.R.	1
10	718-5095	ASSY, DISPLAY LED, PRO UB	1
11	718-5096	ASSY, CC, BCS, BASIC	1
12	718-5101	HOUSING, FRONT W/COVER, BCS	1
13	718-5196	ASSY, CABLE, WIRELESS HR	1
14	721-0033	ASSY., CONN., FITLINX/CARDIO	1

- NOTES: C
- USE NON MARKING, LOW TACK, CLEAR TAPE TO HOLD BACK PLASTIC (P/N 020-7053 TO COMPLETE ASSEMBLY).
 - QTY 8 OF P/N 110-3402 TO BE PROVIDED IN A POLYBAG.
 - CLEAN AREA WITH ISOPROPYL ALCOHOL & LET DRY BEFORE APPLICATION OF STICKER.
 - APPLY 13-17 lb-in. / 1.5-1.9 N-m TORQUE TO SCREWS (110-3402).
 - APPLY 8-12 lb-in. / 0.9-1.4 N-m TORQUE TO SCREWS (110-3404).
 - APPLY PRESSURE FOR AT LEAST 5 SEC. FOR ADHESIVE TO ADHERE TO PLASTIC SHROUD WHEN HR BOARD (715-3864) IS MOUNTED.

**DOCUMENT STATUS:
RELEASE**

NOTICE OF PROPRIETARY INFORMATION
THIS DOCUMENT SHALL NOT BE REPRODUCED NOR SHALL THE INFORMATION CONTAINED HEREIN BE USED BY OR DISCLOSED TO OTHER EXCEPT AS EXPRESSLY AUTHORIZED BY UNISEN INC. D.B.A. STAR TRAC.



MATERIAL SEE BOM		UNLESS OTHERWISE SPECIFIED DIMENSIONS ARE IN INCHES. TOLERANCES ARE: DECIMALS X = ±.13 XX = ±.05 XXX = ±.03 X.XXX = ±.010		UNISEN, INC. DBA 14410 Myford Road Irvine CA 92606	
FINISH N/A		DRAWN: FJM CHECKED: APPROVED:	INITIAL: FJM DATE: 12/15/06	STARTRAC PART NO: 718-5094	REV: C
VENDOR: N/A		P/N: N/A		TITLE: ASSY, DISPLAY ELEC, LED, E- BIKE SCALE: 1:3 SHEET 1 OF 1 SHEET SIZE: C	